

**NEW PRODUCT UNVEILING
AT THE NATIONAL HARDWARE SHOW**

FORM, FUNCTION AND A CUP HOLDER

with **PORT A MATE™**

PM5000 Miter Saw Stand



New!

- Heavy duty, contractor grade materials
- Tough, powder coat finish
- Comfortable work height
- Fast and easy snap pin set-up
- Fold up convenience
- Fast and easy Quick-Mount capability

**SEE THE PM5000 AND OTHER GREAT PRODUCTS,
STOP BY OUR BOOTH S25452**

THE PORTAMATE PM5000 IS LOADED WITH STANDARD FEATURES INCLUDING:



- Quick-Mount Machine Attachments



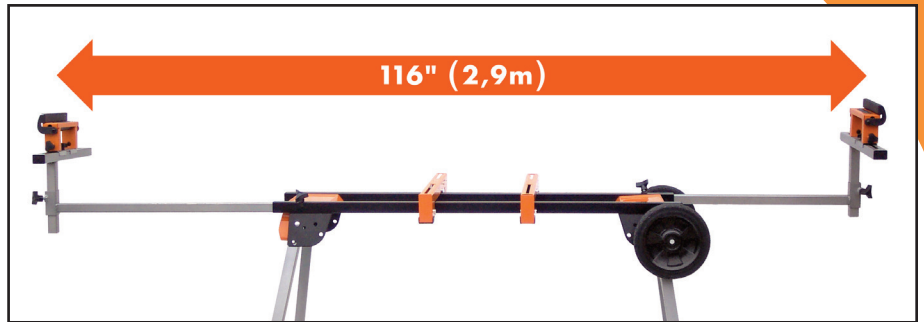
- (2) 8" Wheels for Sturdy Portability



- 3 Outlet Power Center



- Loose Material/Cup Holder



- 116" Overall Material Support Capacity



- Roller Supports with Flip Stops



- Flip-Down Material Supports



HTC PRODUCTS, INC.
332 E. Lincoln Avenue
Royal Oak, MI 48067

(800) 624-2027
+1 (248) 399-6185
Fax: +1 (248) 399-8419

www.htcproductsinc.com